

SEGMENT CONTROLLER ECLIPSE STREET LIGHTING SYSTEM

PROLAN 

PLC concentrator
for **monitoring and control**
of lighting poles



TO WHOM WE OFFER

- For municipalities, ESCO's
Industrial entities (typical
for lighting management)



FEATURES

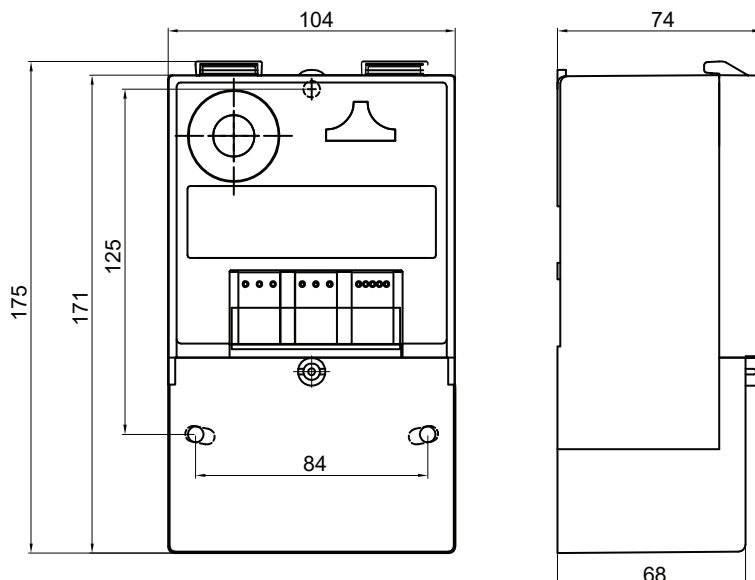
- Heavy Industrial design for street-lighting purposes
- 3 bi-stable switching relays for command combinations
- Prime group and sub-groups lamp control options
- Predefined dimming options for daily, Monthly, yearly scheduling
- Dimming regulation for ad-hoc or extraordinary circumstances
- Built-in Supercap for last gasp notifications (power loss)
- Optional astronomical scheduler/clock for autonomous operation
- GSM, MODBUS-RS485 or infra port offer both remote and local parameterization of autonomous features and value sets.



TECHNICAL DATA

Standards	MSZ EN 50065, MSZ EN 61000
Communication to Lamps	Powerline communication
Frequency band	Cenelec-B, 95-125 kHz, without access protocol
Data coding	FSK
Protocol	manufacturer specific
Signal frequencys	95 - 100 kHz
Signal shape	sine wave
Bandwidth	< 5 kHz, narrow band type
Signal level	max. 120 dB(uV), adjustable
Transmission distance	> 1.5 km
PLC class	122
Baud rate	100 bps
Surge capability L- N	4 kV 8/20us
Power consumption	< 3 W
Nominal voltage	180-260 VAC
Mains frequency	49-51 Hz
Ambient temperature range	-40...+70 C
Mains protection	T4A fuse
Relays	3 pcs, bistable, <40A cos* = 1, <400VAC 50 Hz
Communication to Eclipse	GSM, replaceable SIM card, APN
Communication to Power Meter	RS485, galvanic isolated
IP class	IP 51
Design	plastic box
Dimension	175x75x104 mm
Connections	Push-in terminals (3x2 pin)
Life time	>10 years

Dimensions



PROLAN 

Prolan Process Control Co.
H-2011 Budakalász, Szentendrei út 1-3.
Hungary
T: +36-20/954-3100
Fax: +36-26/540-420
info@prolan.hu
www.prolan.hu